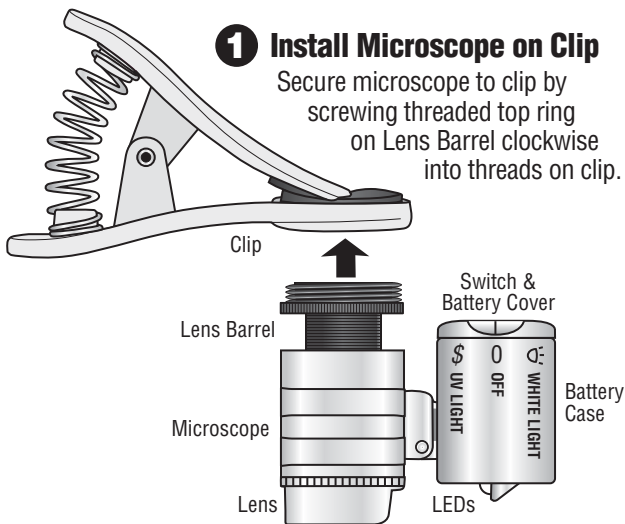


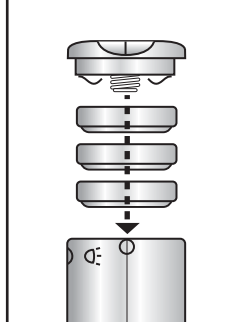
INSTRUCTIONS

1 Install Microscope on Clip

Secure microscope to clip by screwing threaded top ring on Lens Barrel clockwise into threads on clip.



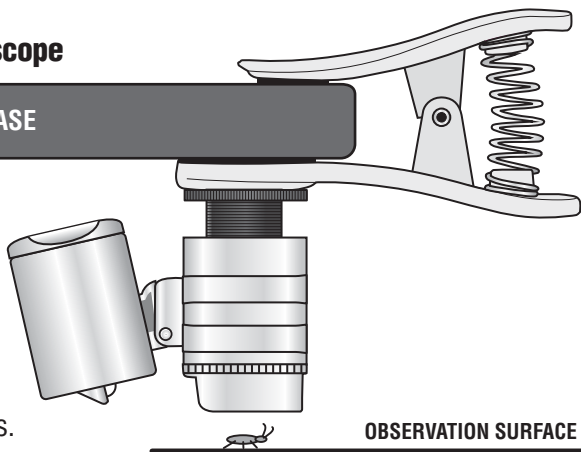
To install/replace batteries, rotate Switch & Battery Cover counterclockwise to "O" position to open (requires three LR 1130 "button" type cells).



2 Using Your Microscope

CELL PHONE CASE

1. Clip assembled microscope over lens on cell phone. Open the cell phone camera app. You may need to make minor adjustments in microscope position to get it centered over lens.



2. To focus on subject, slide Microscope up or down on Lens Barrel.

3. LEDs: Turn Switch/Battery cover to ☐ for white light, \$ for UV.*

**Use white light for pest analysis. UV for counterfeit detection, blood tracing and other forensic purposes.*